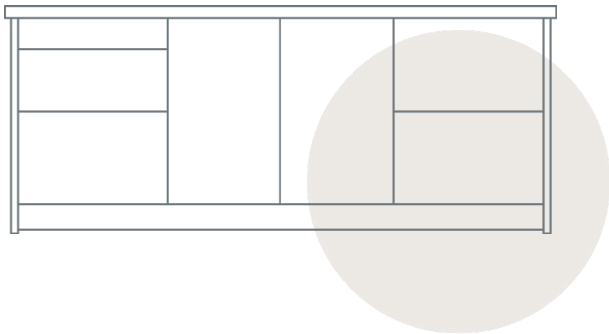




moderntwig

INSTALLATION MANUAL



DISCLAIMER

Modern Twig doors, drawer fronts, panels, fillers, plinth, and trim are meant to be installed by qualified individuals.

Suggestions in this manual are provided for informational purposes only. Modern Twig does not guarantee the efficacy of the instruction provided in this manual, as unforeseen variables-such as existing wall, ceiling and flooring conditions, integrated custom elements, and alternative designs - may render these suggestions moot. Equally, Modern Twig does not guarantee that this information is up to date. For questions concerning Ikea®* products, specifications or utilizations, please refer to manuals provided by Ikea®.

Modern Twig shall not be liable in contract, or in any other manner whatsoever, to any person or entity for any damage to property, additional expense incurred injury, loss of life, or other liability associated with the use of this manual or Modern Twig products.

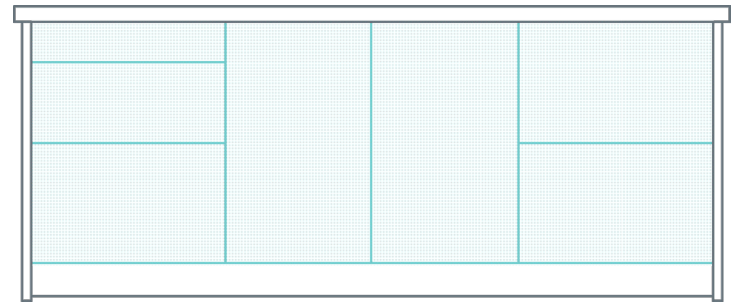
GENERAL SAFETY GUIDELINES

- Read and understand all installation instructions before beginning your project. Retain a copy of these guidelines and instructions for future reference. Failure to follow instructions may result in property damage, bodily injury, or loss of life.
- Read and understand all safety instructions associated with the necessary tools for your project.
- Never use a tool without proper safety training.
- Never use a power tool unaccompanied.
- Always follow safe lifting guidelines.
- Always wear protective eyewear.
- Keep children away.
- Be aware of water and power lines when drilling into walls.

HOW TO INSTALL...

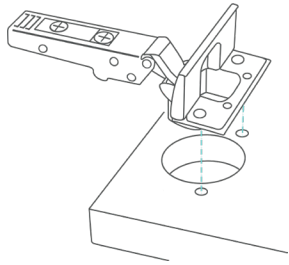
- 5 DOOR + DRAWER FRONTS
- 11 PANELS
- 15 FILLERS
- 19 TOE-KICK / PLINTHS
- 23 UPPER TRIMS / LIGHT RAILS
- 26 CLEAN + CARE INSTRUCTIONS

DOOR + DRAWER FRONTS

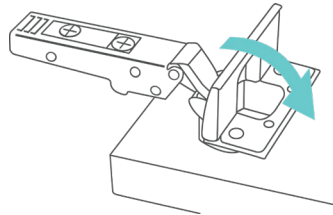


All standard Modern Twig doors and drawer faces are drilled in the same way as Ikea's doors and drawer faces. Modern Twig doors and drawer faces are meant to work in conjunction with the hinges and drawers purchased at Ikea and with the instruction manuals provided by Ikea®.

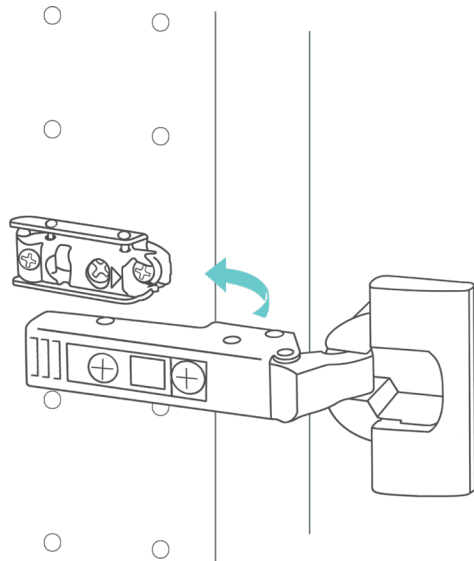
1 Place hinges in hinge hole cups of door fronts.



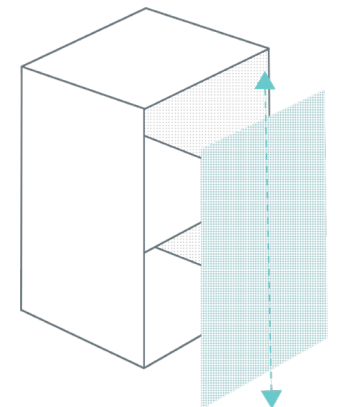
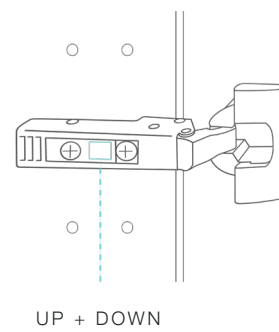
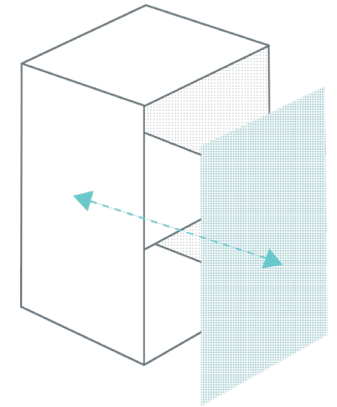
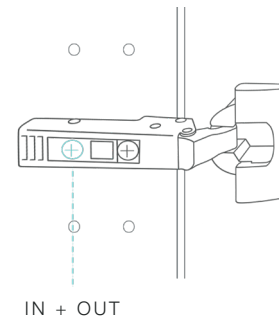
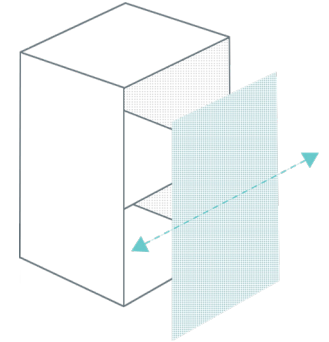
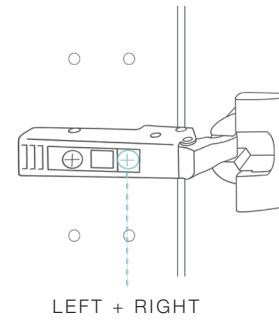
Secure in place by pressing down on the tension cap.



2 Attach the doors to the cabinet frame as per Ikea's instruction.



3 Adjust doors after installation.

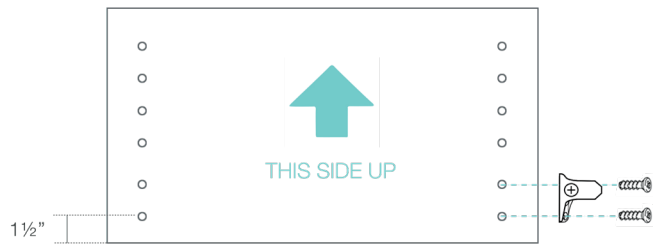


- 4 Attach the metal plugs to the back of drawer fronts.
Below is an example of plug locations for low, medium, and high drawers.

LOW DRAWER - 5"

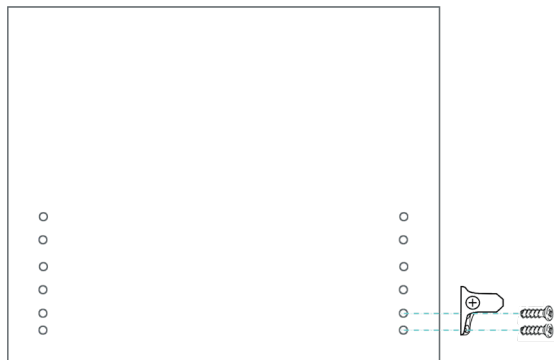


MEDIUM DRAWER - 10"



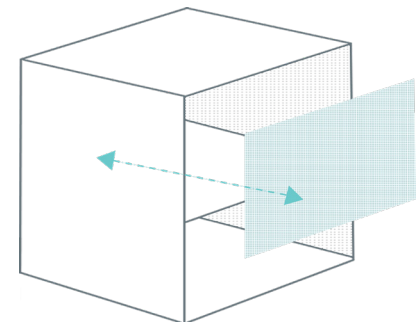
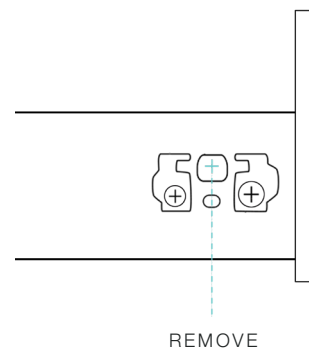
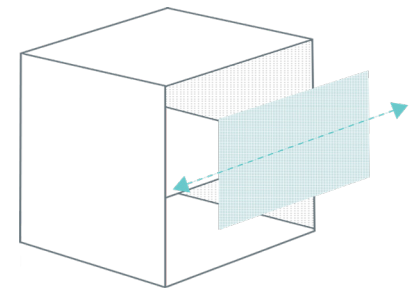
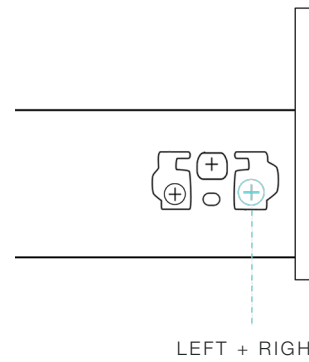
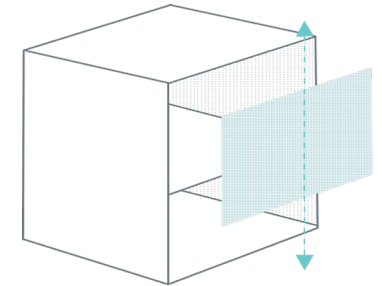
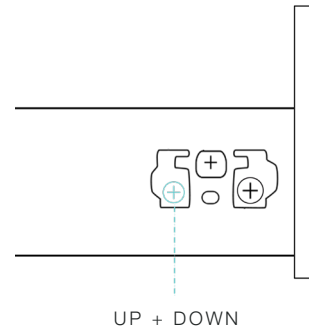
Note: To distinguish the top from the bottom on medium (10") drawer fronts, the bottom hole is always 1 1/2" from the bottom edge.

HIGH DRAWER - 15"

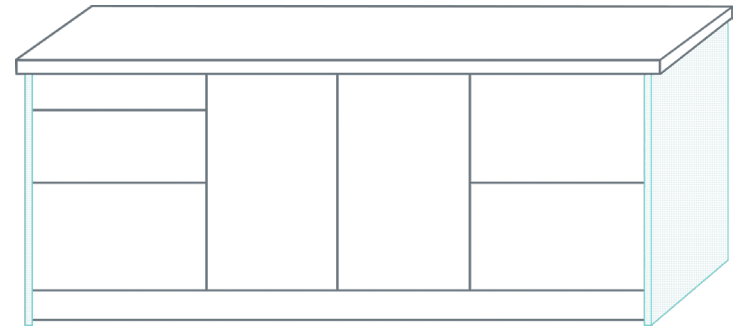


Note: Be aware that the metal plugs sit differently on the bottom drawer.

- 5 Attach and adjust drawers.

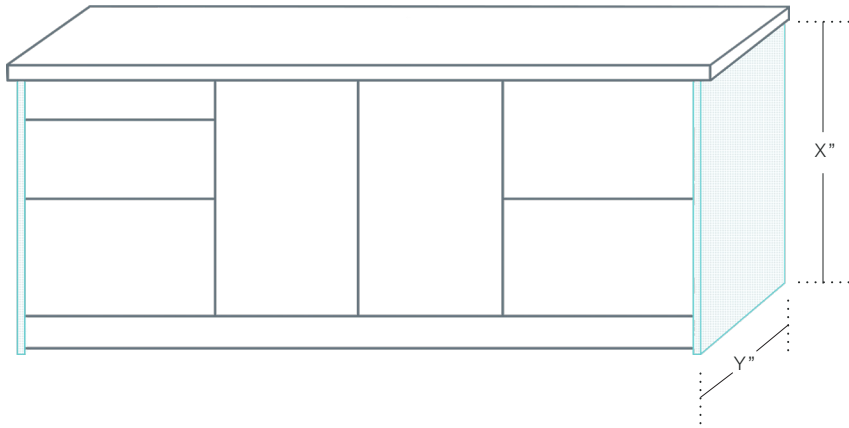


PANEL INSTALLATION



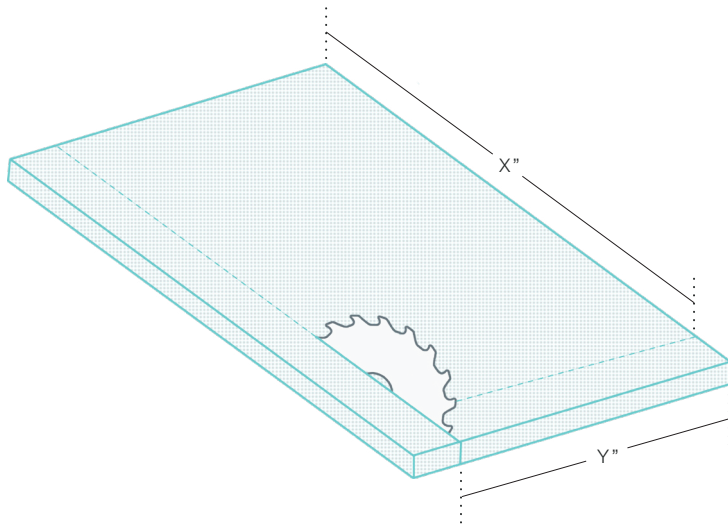
Modern Twig panels are 3/4" thick and are intentionally over-sized. Panels need to be trimmed on site. Base and tall panels are intended to run from the top of the cabinet frame to the floor and extend 3/4" past the face of the Ikea cabinet. This will result in the front edge of panels being flush with the face of the fronts. Wall panels may extend lower than the cabinet frame to capture the light rail or can be trimmed to the cabinet frame height.

- 1 Measure the height and depth of the panel needed.

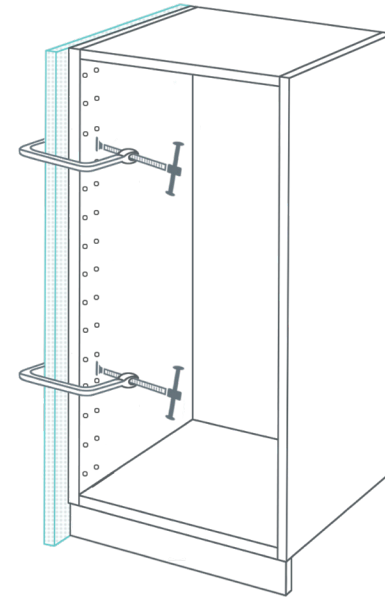


- 2 Mark and trim the panel at the desired dimensions.

Note: Any resulting exposed edges are meant to face the wall, ceiling or under the countertop.

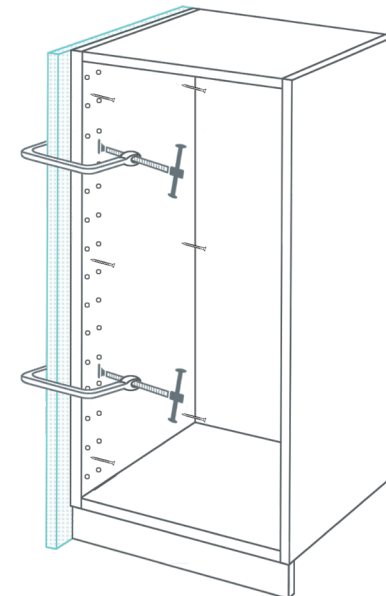


- 3 Use clamps to hold the panel against the side of the cabinet for proper installation.

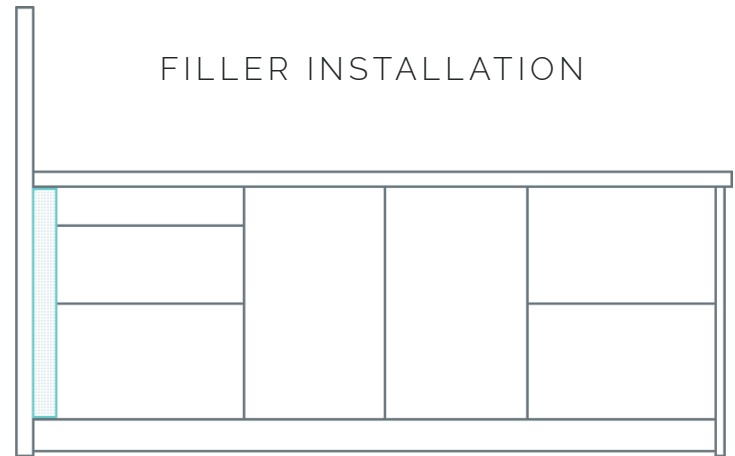


- 4 Use a minimum of four 1¼" screws to attach the panel against the side of the cabinet frame.

Note: Pre-drilling pilot holes are highly recommended to avoid splitting.



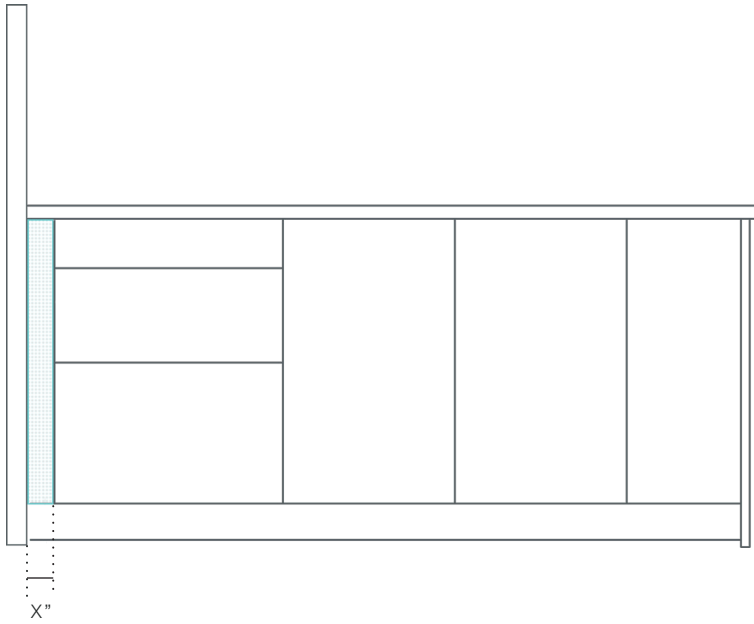
FILLER INSTALLATION



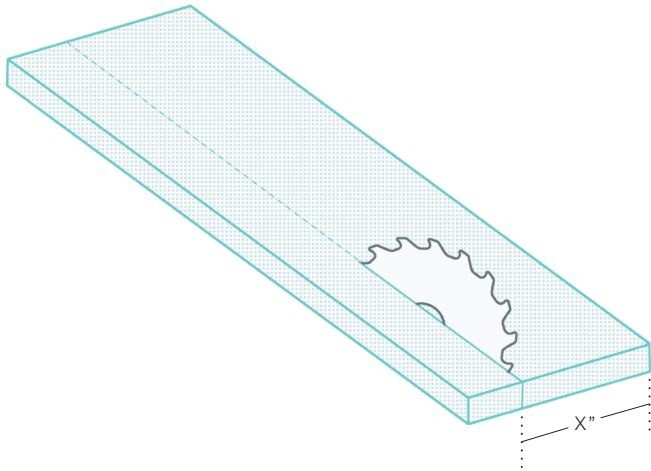
Modern Twig fillers are 4" wide and equal the height of the cabinet frame (30", 40"). Fillers can sit either flush with Ikea's cabinet frame or flush with our fronts. To install fillers flush with our fronts, you must add a backer piece to filler prior to attaching to the cabinet frame.

NOTE: Backer piece not supplied.

- 1 Determine the specific width of the filler needed.

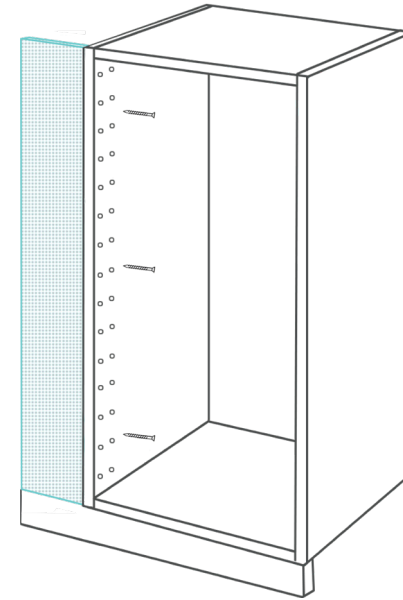


- 2 Mark and trim the filler at the desired dimensions.



- 3 Place filler where necessary. Drill screw through the inside of the cabinet frame to attach fillers.

Note: Pre-drilling pilot holes are highly recommended to avoid splitting.

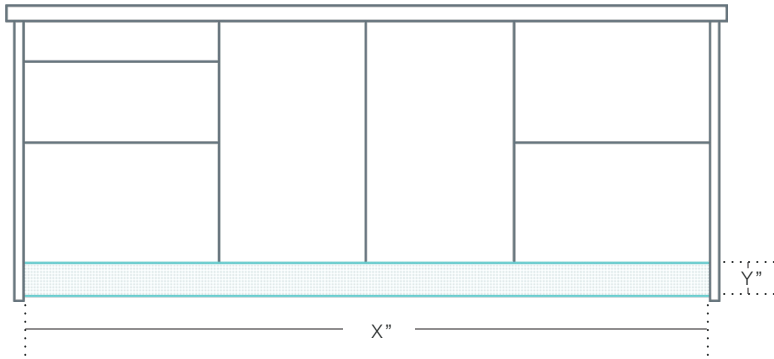


TOE-KICK / PLINTH INSTALLATION



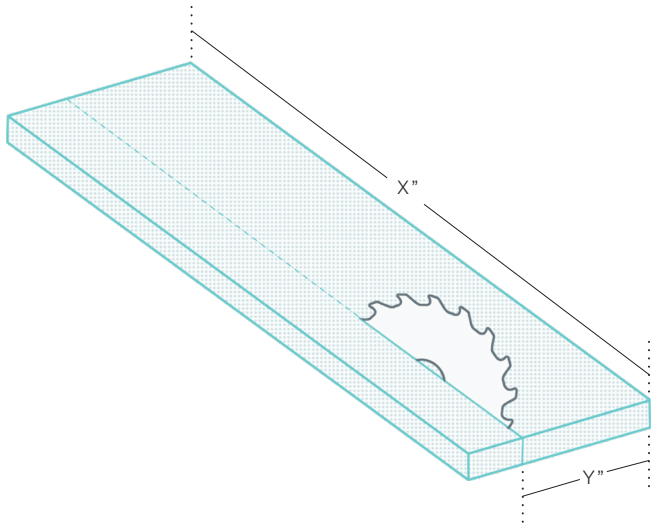
3/4" Modern Twig toe-kick/plinth is intended to be installed underneath the front portion of the base cabinets.

- 1 Measure the height and length of toe-kick/plinth needed.

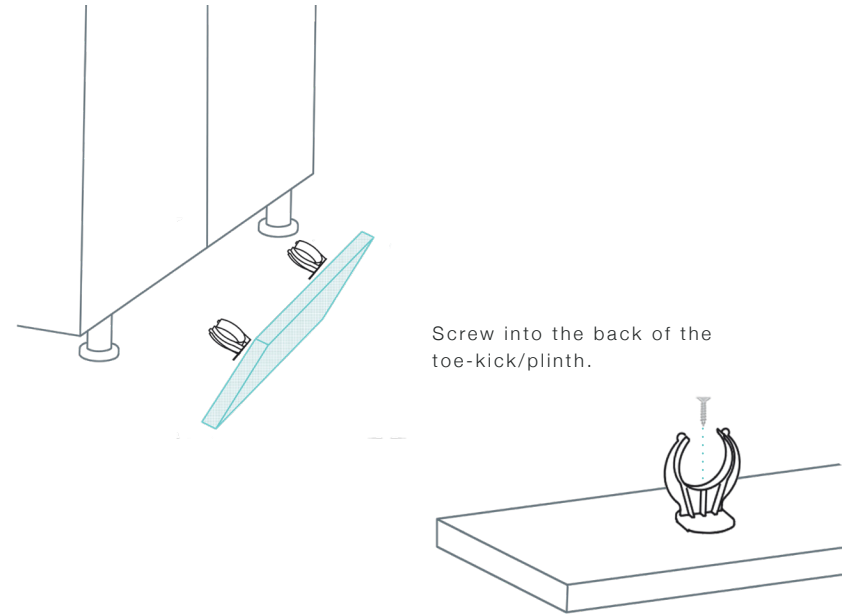


- 2 Trim toe-kick plinth if needed.

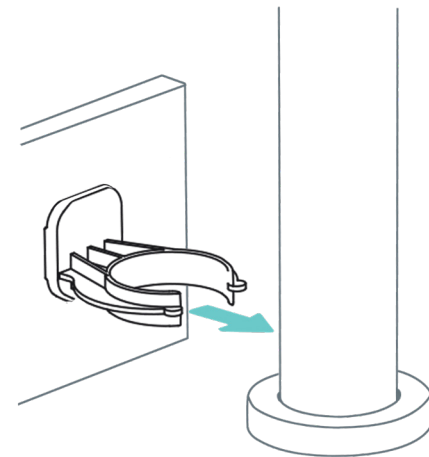
Note: Modern Twig toe-kick/plinth is made at 93" long x 5" tall.



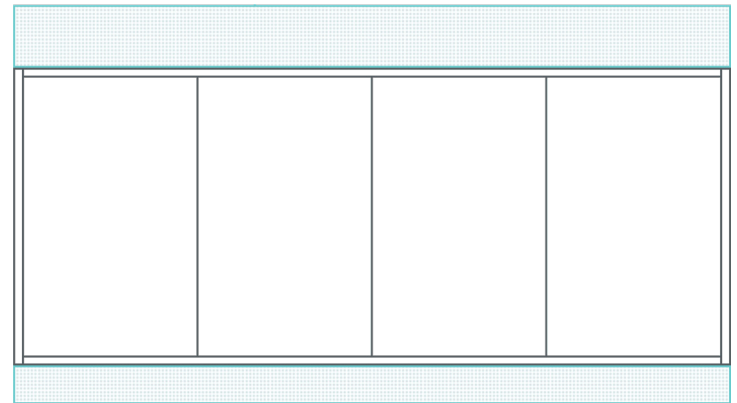
- 3 Line up leg clips with the cabinet legs.



- 4 Attach the toe-kick/plinth to the adjustable Ikea® legs.

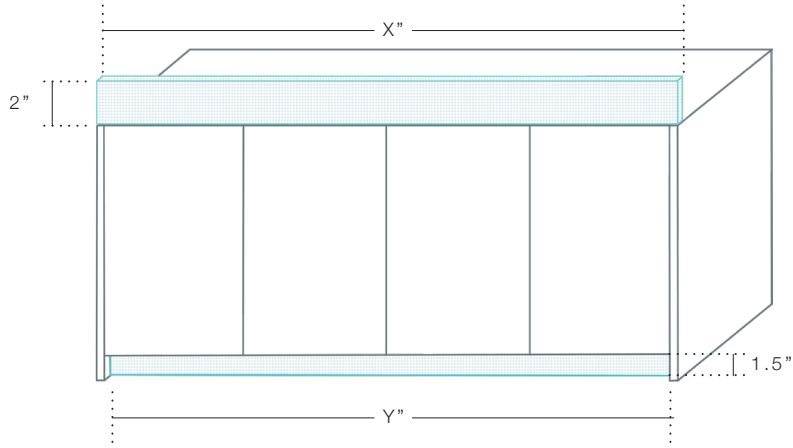


UPPER TRIM / LIGHT RAIL INSTALLATION

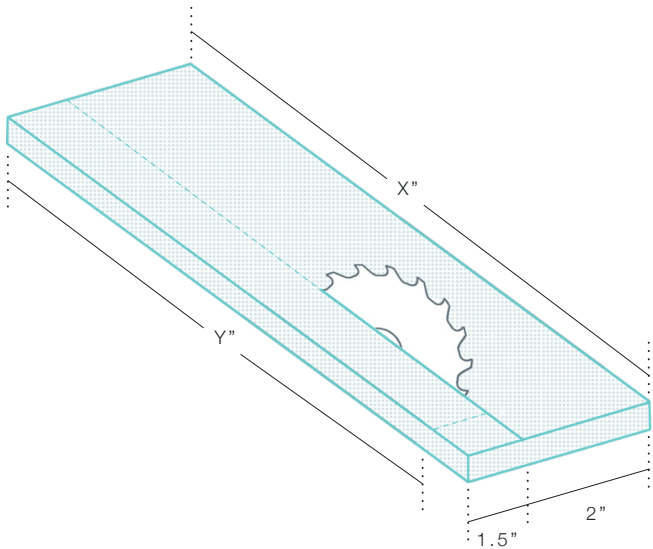


Upper trim is meant to be installed above the wall cabinets and light rail is meant to be installed below the wall cabinets.

- 1 Determine specific length of upper trim and bottom trim needed for wall cabinets.

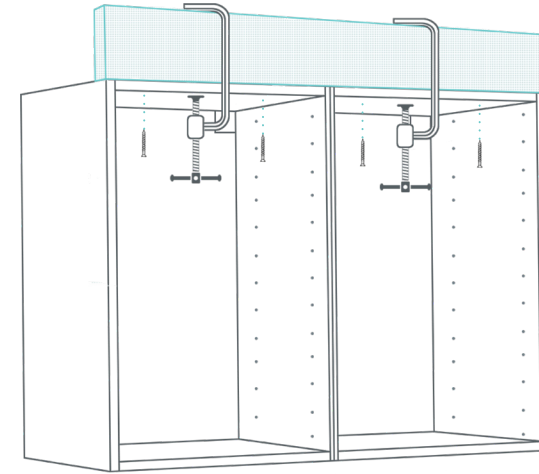


- 2 Mark and cut trim to the desired dimension.



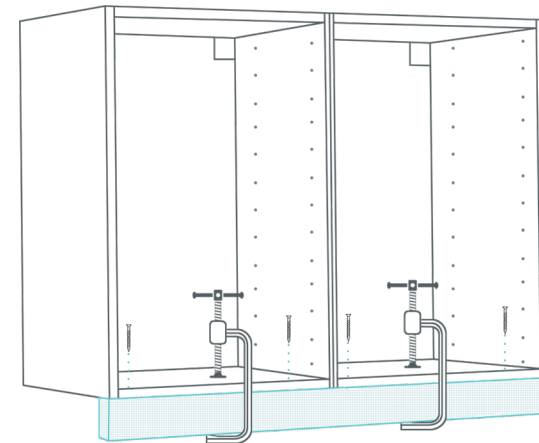
- 3 To fill the gap between the top of upper cabinets and ceiling, place trim above wall cabinets. Clamp and attach using finish screws (not included). Pre-drilling pilot holes is highly recommended to avoid splitting.

Note: For trimming to be flush with the face of fronts, we recommend using L-brackets or blocking behind trim pieces.



- 4 Place trim below the wall cabinets. Clamp and attach using finishing screw (not included). Pre-drilling pilot holes is highly recommended to avoid splitting.

Note: For trimming to be flush with the face of fronts, we recommend using L-brackets or blocking behind trim pieces.



CLEAN + CARE INSTRUCTIONS

OCCASIONAL CLEANING

1. Surfaces should be cleaned with a soft, non-abrasive cloth lightly dampened with a mild soapy solution, followed by a wipe-down with a similarly soft, but dry, non-abrasive cloth.
2. Avoid all cleaning compounds with alkaline reagents - like ammonia or alcohol.
3. Do not wax or polish acrylic (Modern White), primed / unfinished (Paint-Ready), or thermally fused laminate (Faux Wood) doors.
4. For Real Wood Veneers, orange oil and orange wax can be used on an infrequent basis but must be applied first to clean, non-abrasive cloth - not directly on the coated surface. It is always best to test a small spot on the back of a door or drawer face to be sure of no adverse effects.

PRECAUTIONARY ACTIONS

1. Wipe off all liquids immediately.
2. Avoid direct sunlight.
3. Make sure appliances - especially dishwashers - are correctly installed and insulated.
4. Never "vent" your dishwasher or oven by cracking open the appliance door.
5. Avoid close proximity to radiators, heaters or mobile heating units.
6. Protect surfaces when using sharp tools or cumbersome equipment.

NEED HELP?

For questions about assembly or installation,
contact us at hello@moderntwig.com



moderntwig.com